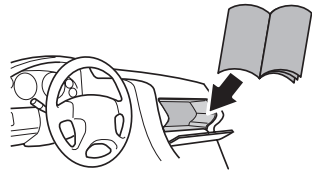
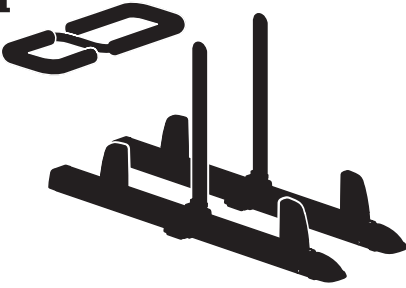


➤ Instructions

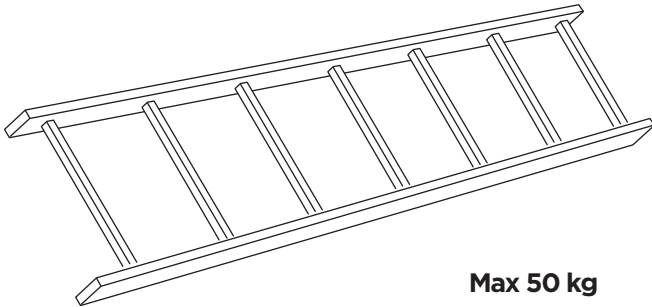
Thule Ladder Tilt 311010



i

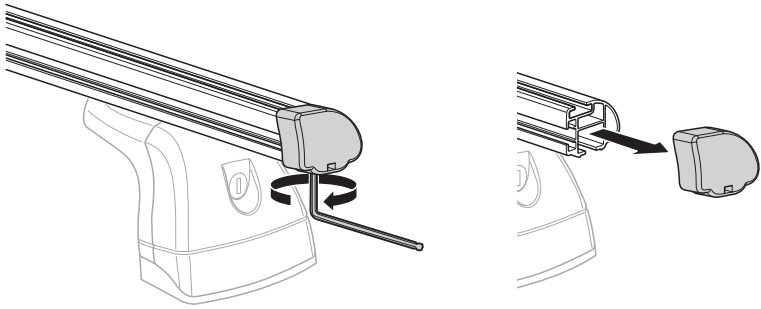


10,5 kg

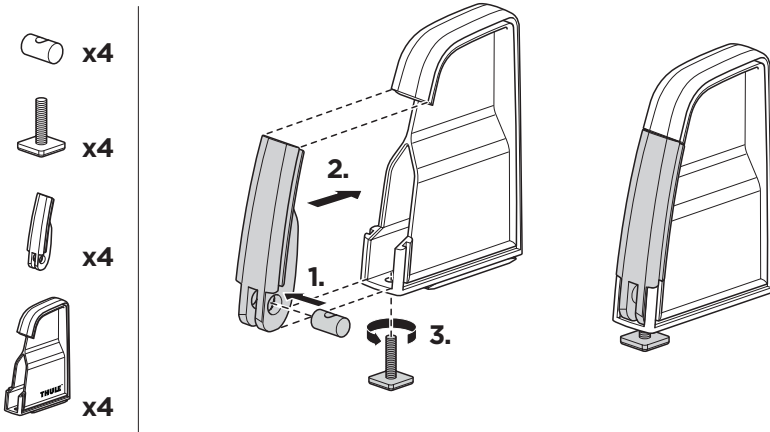


Max 50 kg

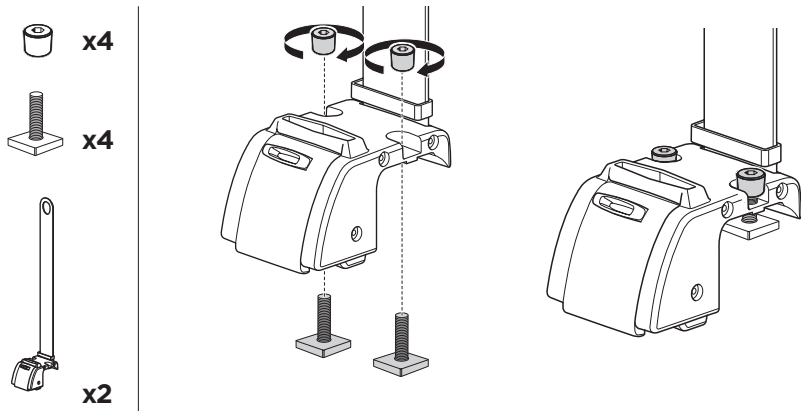
1



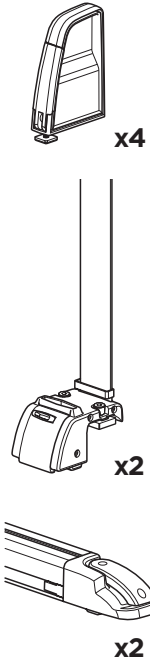
2



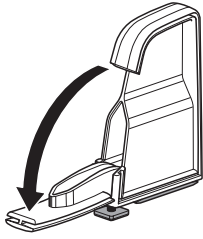
3



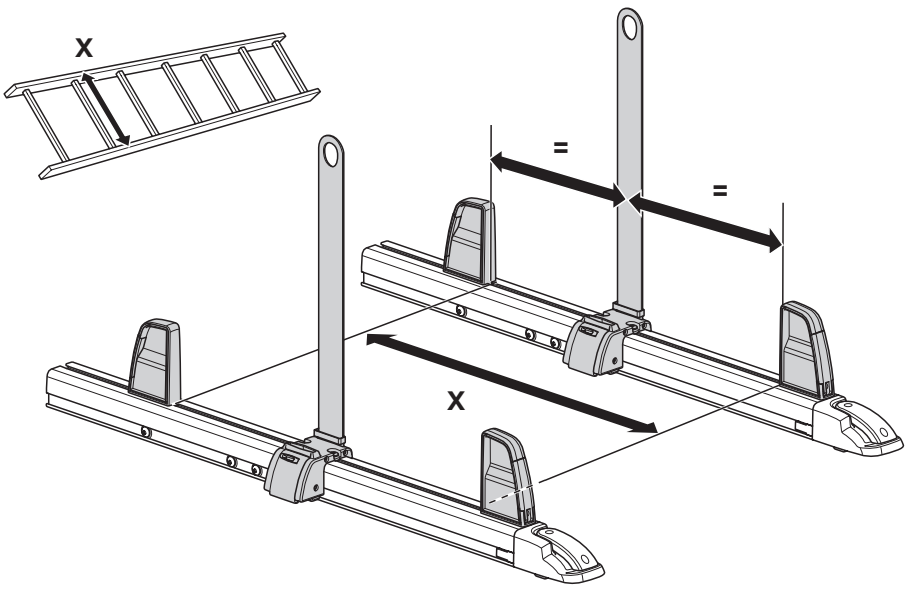
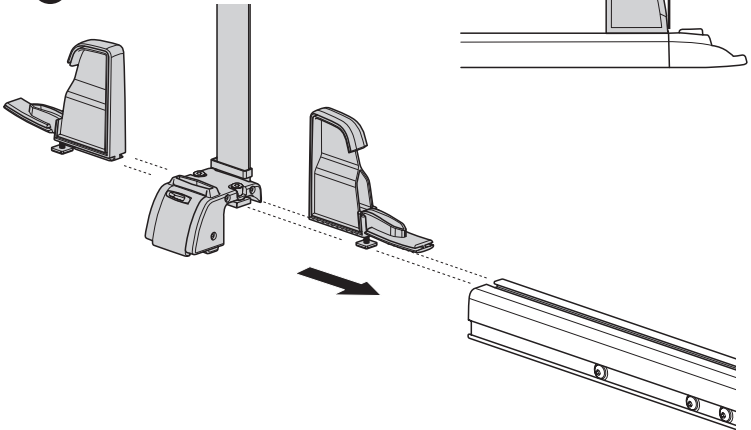
4



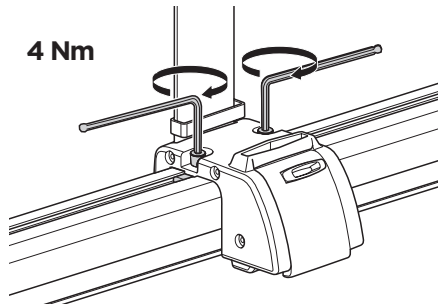
A



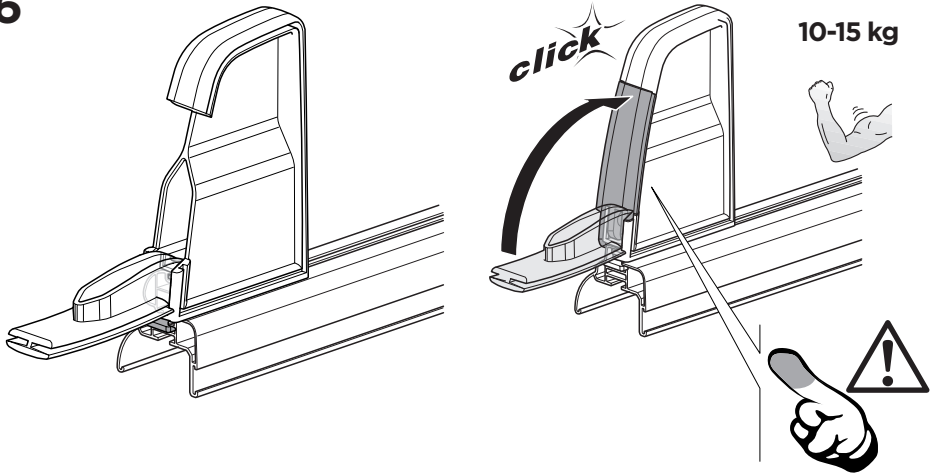
B



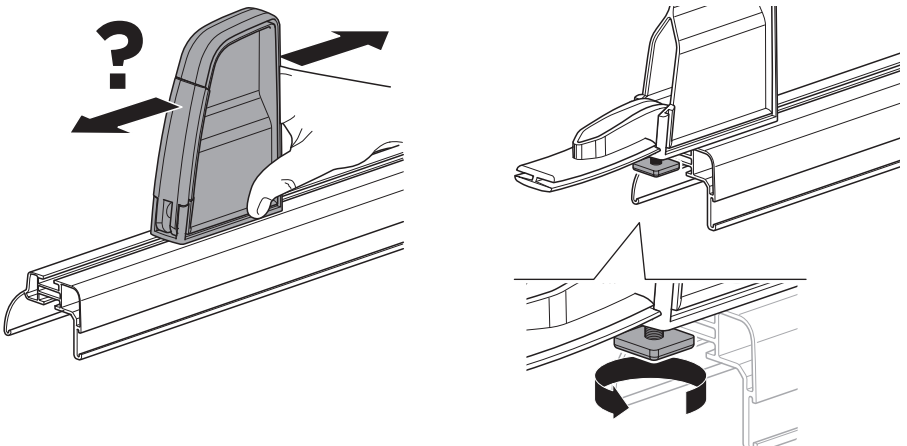
5



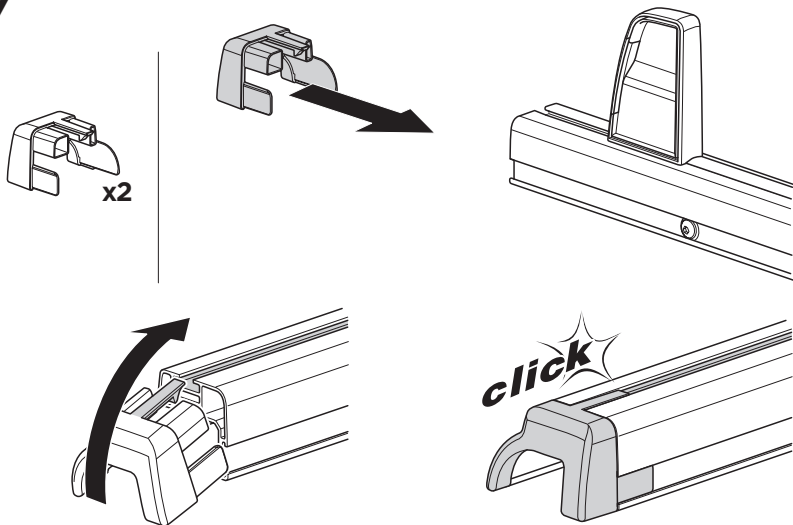
6



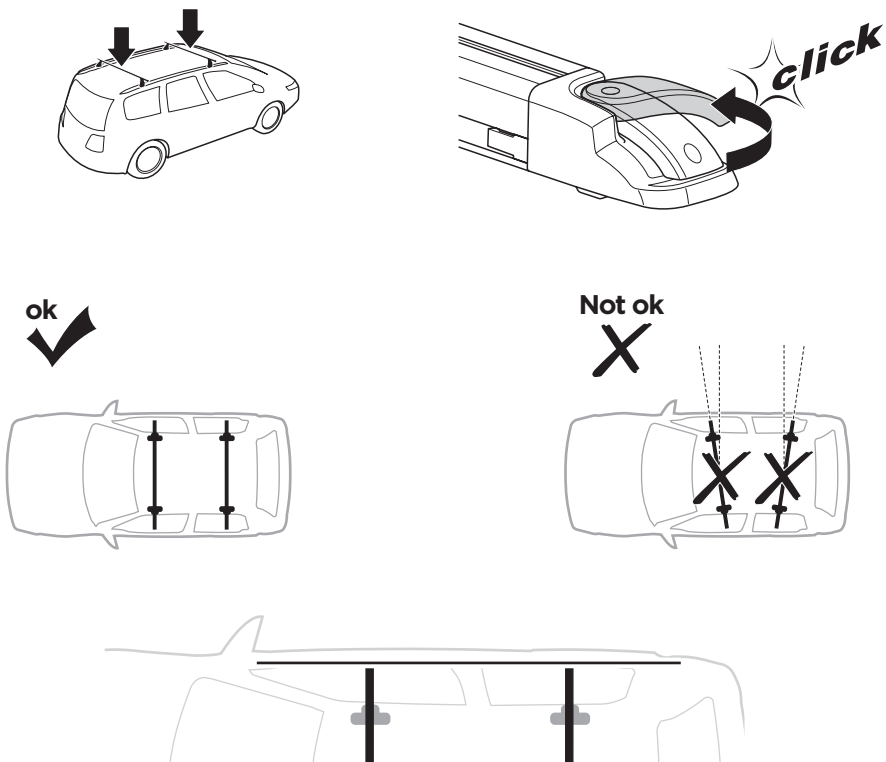
i



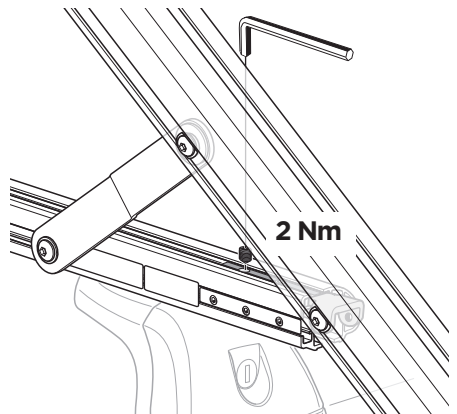
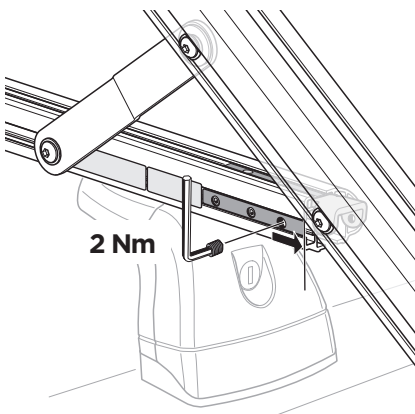
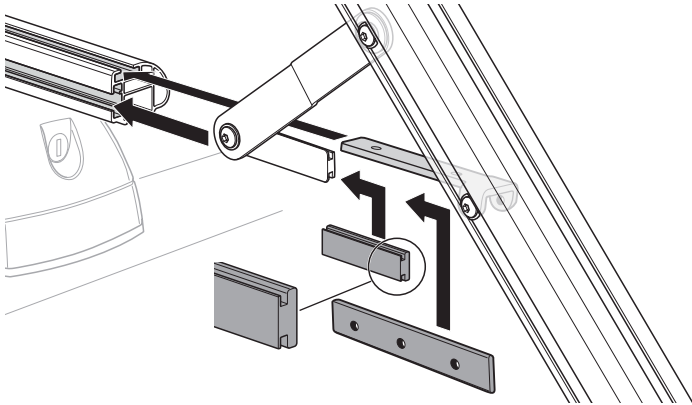
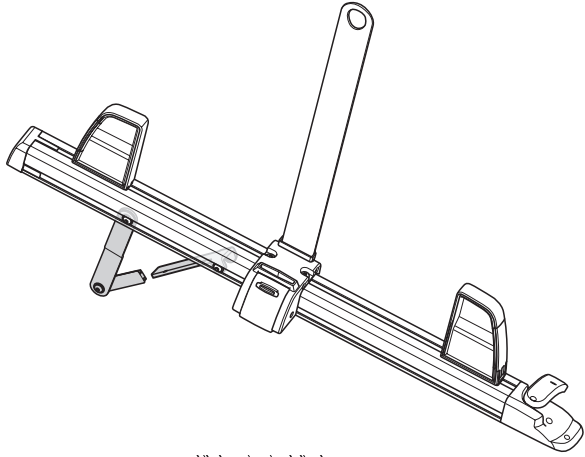
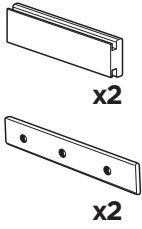
7



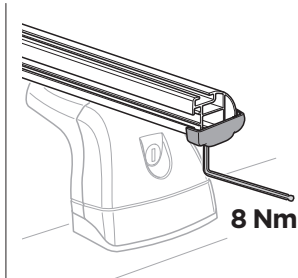
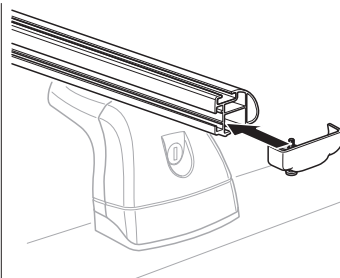
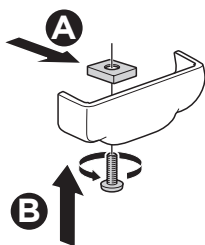
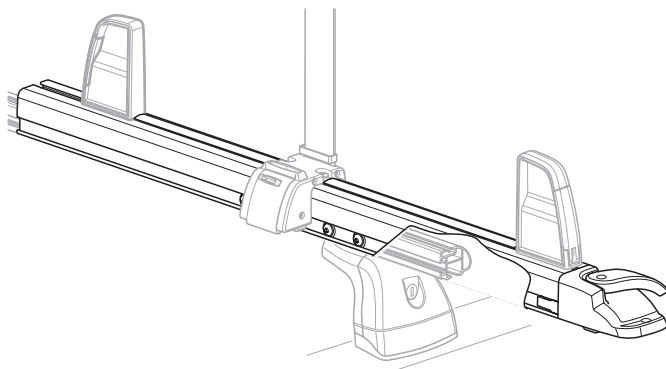
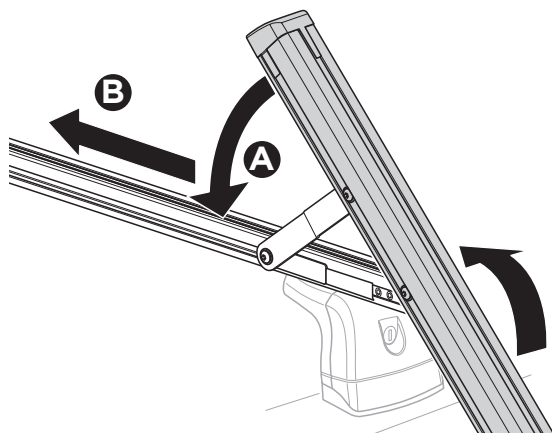
8



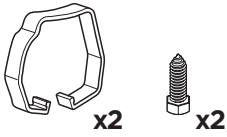
9



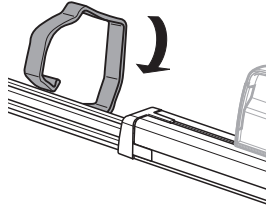
10



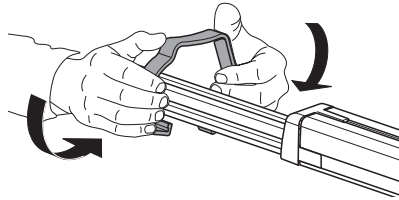
11



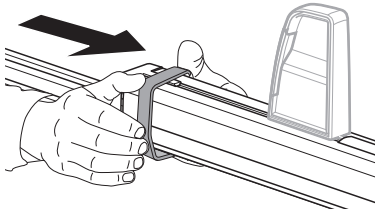
A



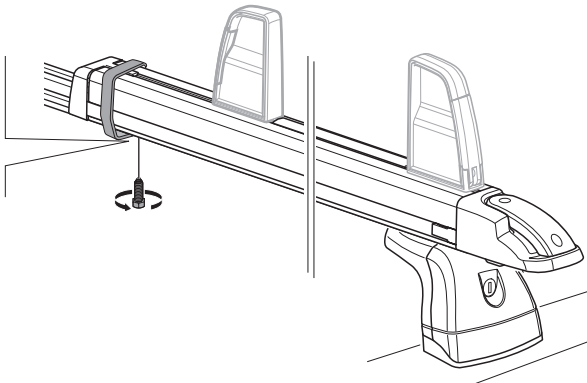
B

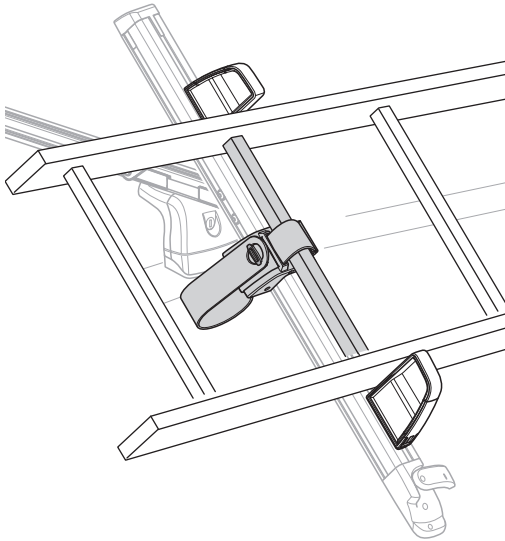
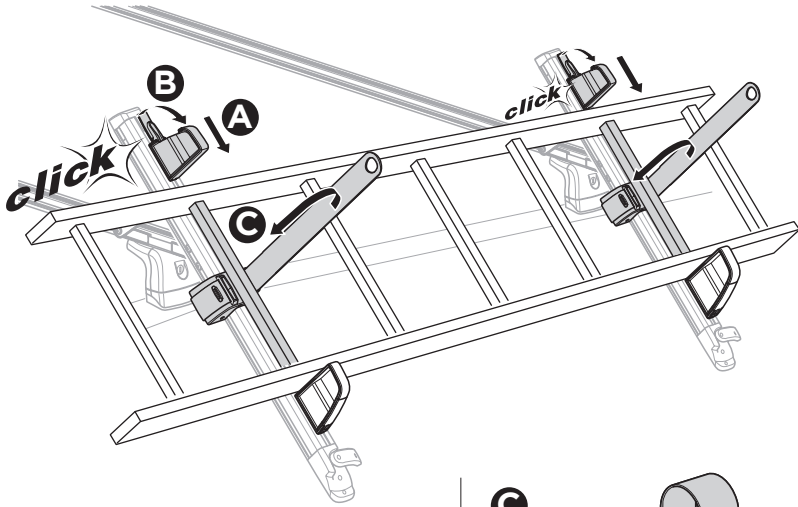


C

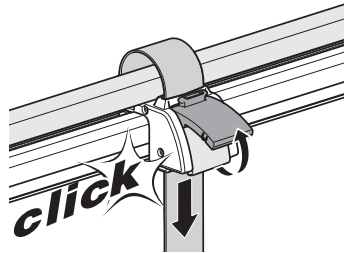
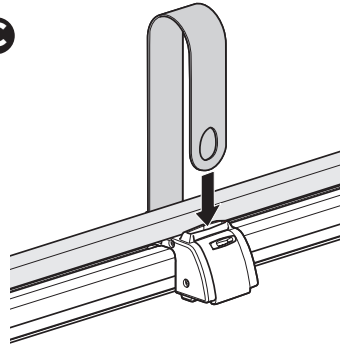


D

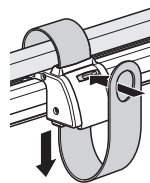




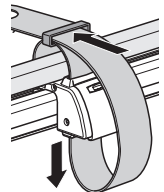
C



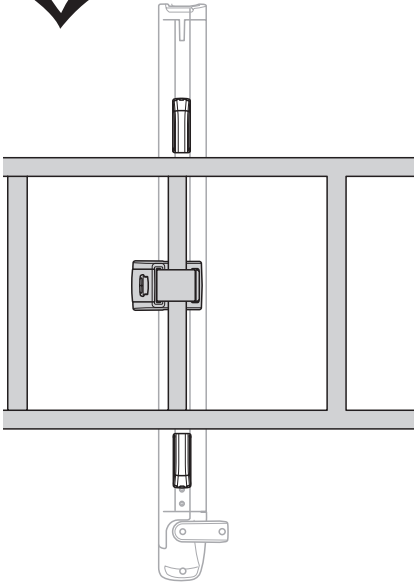
Alt A.



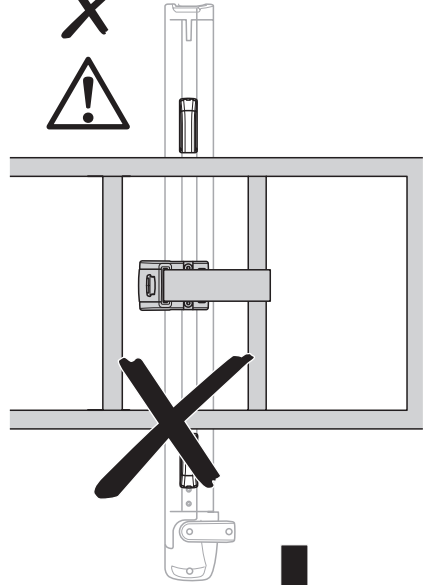
Alt B.



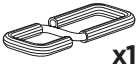
i ok ✓



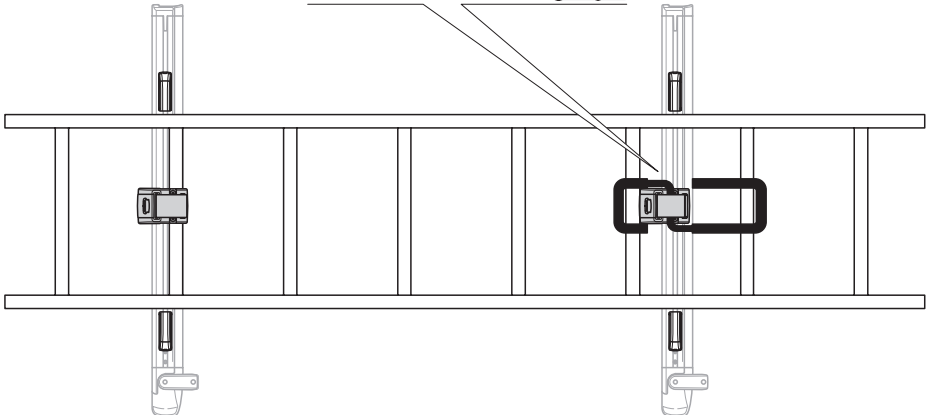
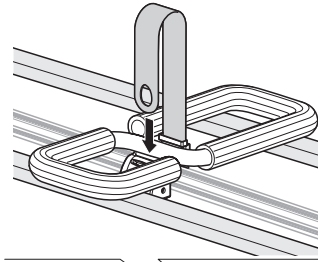
Not ok



13

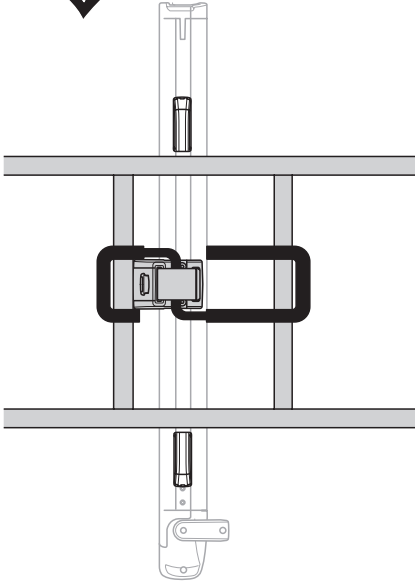


x1

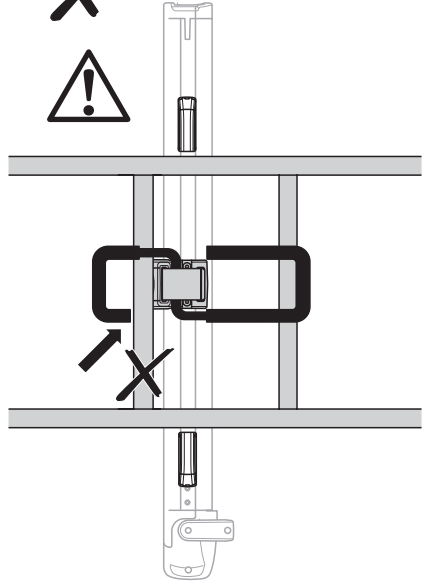


i

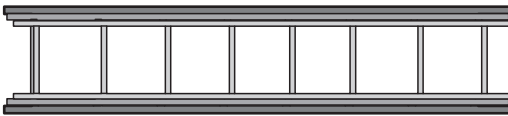
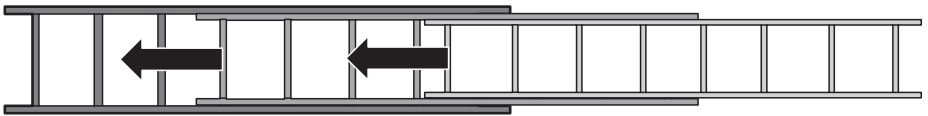
ok



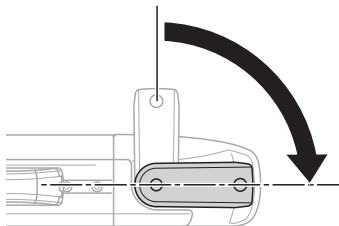
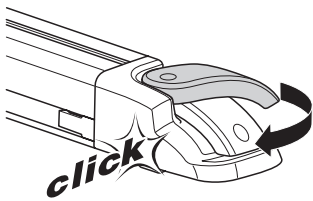
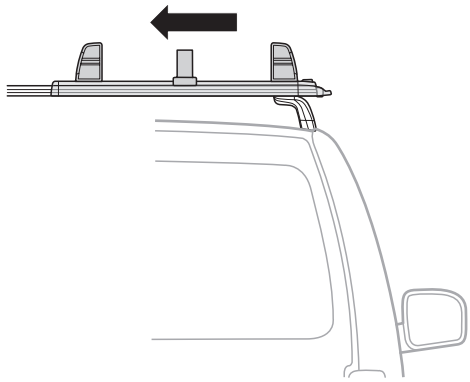
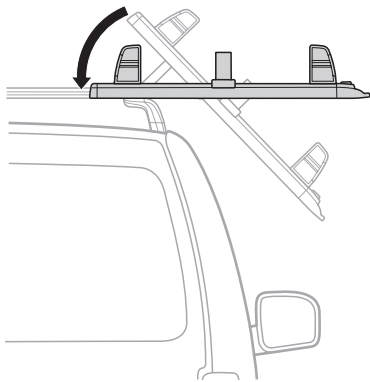
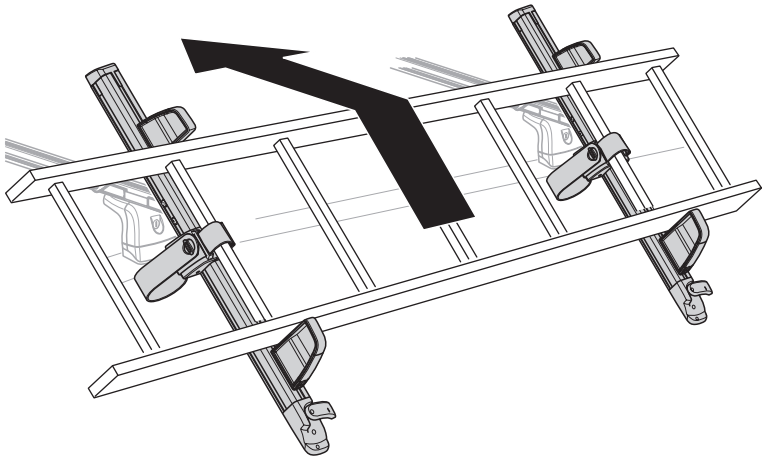
Not ok



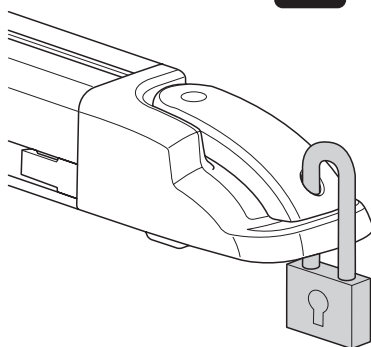
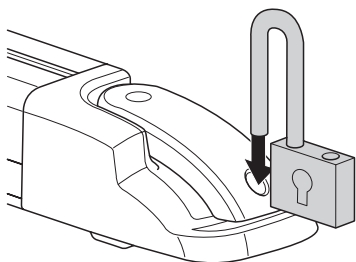
i



Max 3

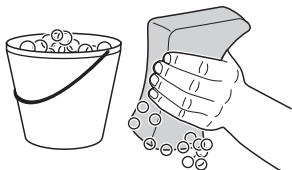


i



i

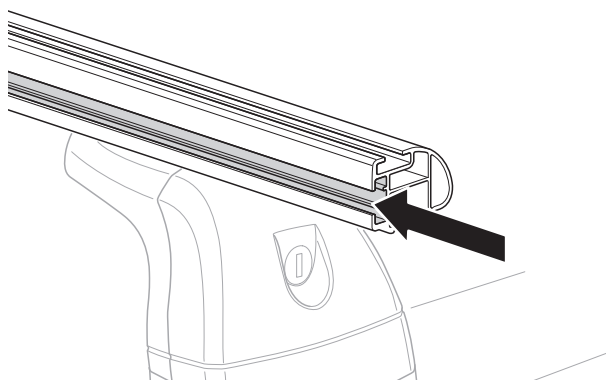
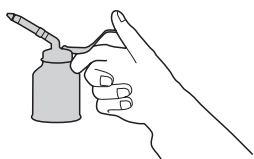
A



B



C



 Thule Sweden AB, Borggatan 5
335 73 Hillerstorp, SWEDEN

› PART OF THULE GROUP

 info@thule.com

© Thule Group 2020. All rights reserved.

 www.thule.com

501-7171-10